

BTH-600 Instruction Manual

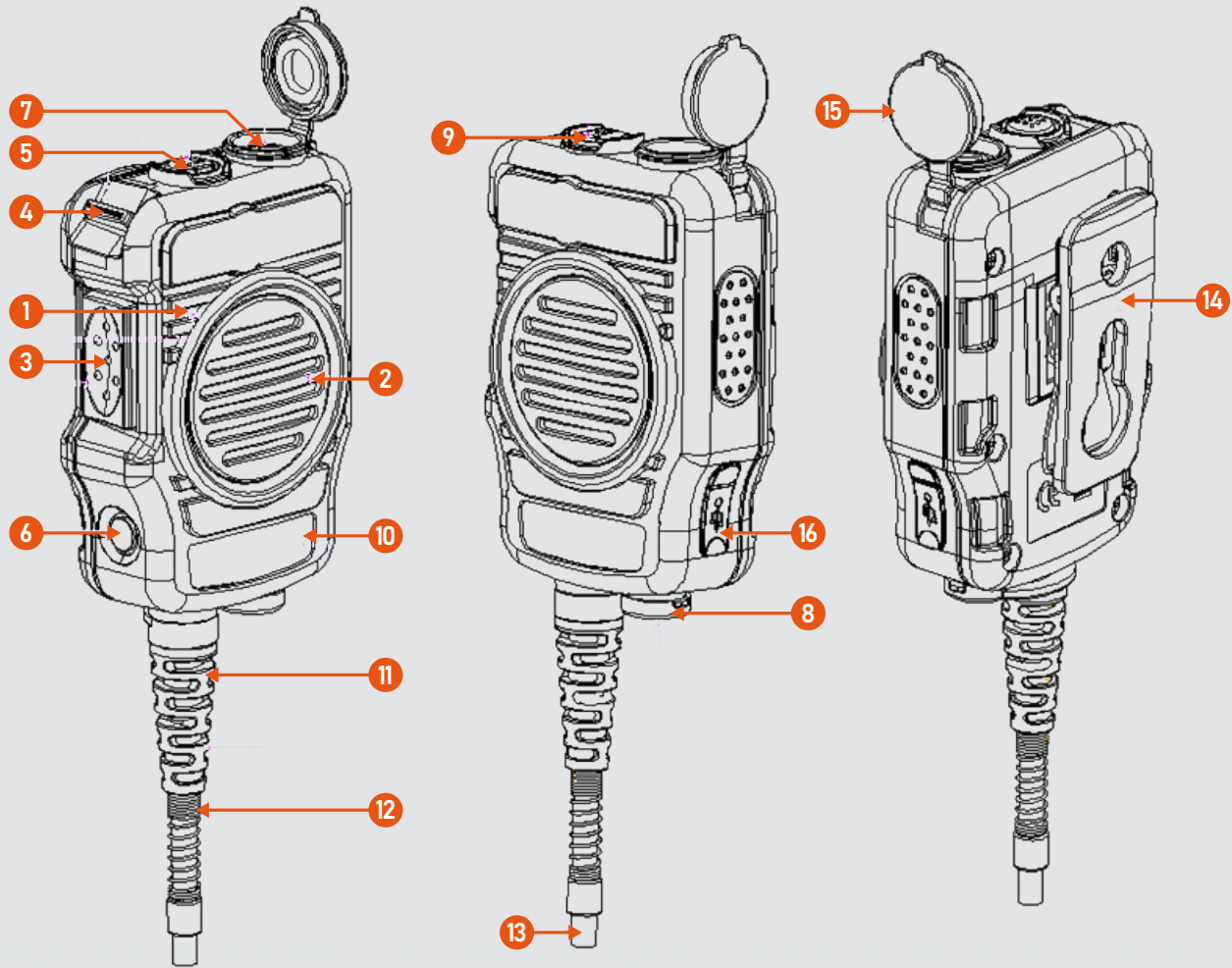
Specifications Description

Solution for speaker microphone and Bluetooth pairing



Translucent.

Diagram with Annotations



FUNCTION DESCRIPTION

- 1** Microphone
- 2** Speaker/PTT Button
 - The entire speaker cover can be used as a PTT button.
- 3** PTT Button
 - Press the PTT button " the light up green", release the PTT button " the light turn off".
- 4** Volume Button
 - Pushing the volume button up increases the volume (+), pushing it down decreases the volume (-).
 - Initial volume is set to a middle level (note: pushing the volume button up 6 times reaches the maximum volume).
 - The minimum volume is mute.
 - Long press on the volume button can quickly increase or decrease the volume.

FUNCTION DESCRIPTION

5 Bluetooth Function Control Button

- Power on/off.
- Long press to turn on Bluetooth, with a continuous press duration of 1.5 seconds.
- Long press to turn off Bluetooth, with a continuous press duration of 3 seconds.
- Play/Pause Music.
- Answer/hang-up phone call.

6 Microphone Noise Cancellation Button, LED Indicator

- After connecting the handheld microphone to the Two-Way Radio and turning on the Two-Way Radio, press and hold for 0.5 seconds and release, the microphone noise cancellation function is activated (LED green light on); press and hold again for 0.5 seconds and release, the microphone noise cancellation function is turned off (LED green light off).
- When the handheld microphone is connected to the Two-Way Radio and the Two-Way Radio is turned on, the LED red light indicates low battery level of the built-in battery, please charge the battery immediately.
- The LED red light is on during charging of the built-in battery, and the LED green light is on when the battery is fully charged.
- Bluetooth function LED indicator is blue.
- After continuously pressing the power button (5) for 1.5 seconds to turn on (speaker emits a pairing power-on prompt tone), the LED blue light flashes, entering the Bluetooth search mode. After pairing and connection, the LED blue light flashing stops (speaker emits a pairing connection successful prompt tone).
- In the state of Bluetooth function being turned on, after continuously pressing the power button (5) for 3 seconds to turn off, the LED blue light stays on for 1 second (speaker emits a shutdown prompt tone).

7 Nexus External Female Socket

- Can connect to Nexus U-174/U Plug.

8 3.5mm External Female Socket

- Can connect to 3.5mm Plug mono headset.

9 PTT Indicator LED Light (Green)

- When pressing the PTT button for Two-Way Radio TX, the PTT indicator LED light will show green.

10 Reflective Strips

- Advanced grade reflective film, excellent night visibility, ensuring high reflective effect.
- Durable and easy to clean, the excellent material allows the product to be used for a long time in harsh environments while maintaining excellent retroreflective performance; the surface film is smooth, translucent, and resistant to dirt.
- The reflective marking has high reflective performance, excellent weather resistance, and long-term night recognition advantages.

11 Cable Anti-Stress Tension, Bending Buffer Structure Design, made of high elasticity strength rubber.

12 Cable Anti-Stress Tension, Bending Buffer Structure Design, made of reinforced stainless-steel spring.

13 Two-Way Radio Signal Connection Cable, made of acid-resistant, temperature-resistant, cold-resistant, environmentally friendly rubber material (optional with fire-resistant cable material).

- Cable diameter: $\Phi 5.5\text{mm}$

14 Back Clip

- The upper clip of the back clip is made of lightweight plastic steel material, and its design can be fixed with hooks and brackets.
- The lower clip of the back clip is made of reinforced stainless-steel material and uses a high-torque spring to enhance the overall clamping force of the back clip.
- The rotating base is made of reinforced stainless-steel material and can rotate 360°, with clearly tactile angle positioning grooves.

15 USB-C Charging Port Dust Cover

16 USB-C Charging Port

- Charging signal LED indicator, see detailed description (Point 6).
- Charging voltage: 5V
- Charging current: 500mA
- Charging time: 3~4 hours



FUNCTION SUMMARY

- BTH-600 is a handheld microphone that can connect to a Two-Way Radio and a mobile phone at the same time.
- Wired connection to the Two-Way Radio, wireless connection to the mobile phone (wireless connection is Bluetooth).
- Volume of the Two-Way Radio and mobile phone will be adjusted synchronously.
- When pressing the PTT button for Two-Way Radio TX, BTH-600 speaker mutes and the microphone of Bluetooth function is turned off. Two-Way Radio function has priority.
- PTT button indicator light.
- Microphone noise cancellation function.
- Bluetooth function supports phone calls and music play.
- Bluetooth voice broadcast: English and Chinese are available (default is English).
- Female external audio socket for all Nexus-compatible headsets, ensuring seamless interoperability for all markets and applications.
- 3.5mm mono headset external female socket.
- Bluetooth low power prompt tone, once every 30 seconds.
- Bluetooth pairing successful prompt tone.
- Bluetooth disconnection/reconnection prompt tone.
- Bluetooth incoming call prompt tone.
- USB-C charging interface.
- Replaceable back clip.

PERFORMANCE INDEX

BLUETOOTH VERSION	V 5.0
BATTERY CAPACITY	850mAh
CHARGING CURRENT	500mAh
DIMENSION	6×5(mm)
SENSITIVITY	-40±3dB
DIRECTION	OMNIDIRECTIONAL
DIMENSION	Φ45mm
IMPEDANCE	8Ω±15%
DUST AND WATERPROOF RATING	IP 68

