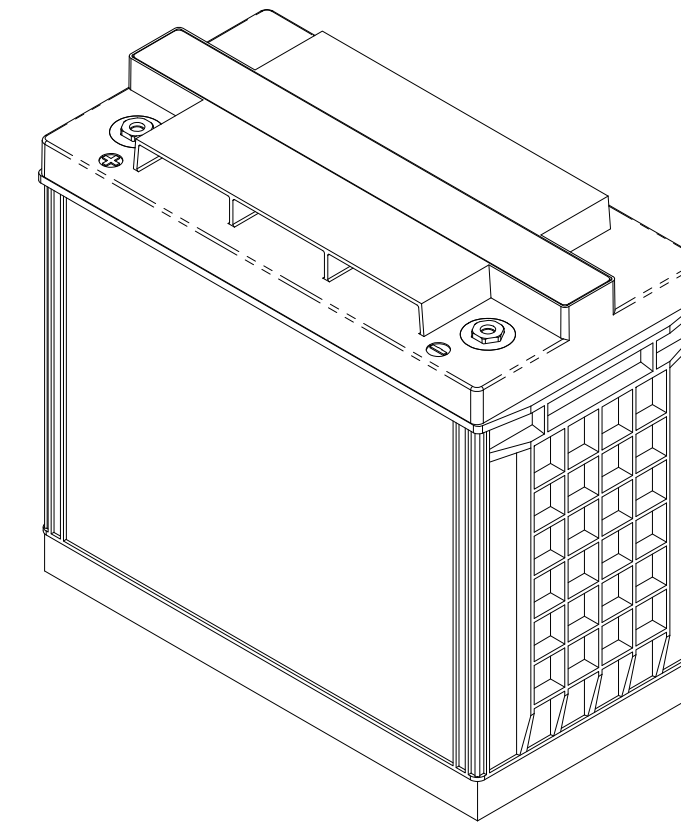
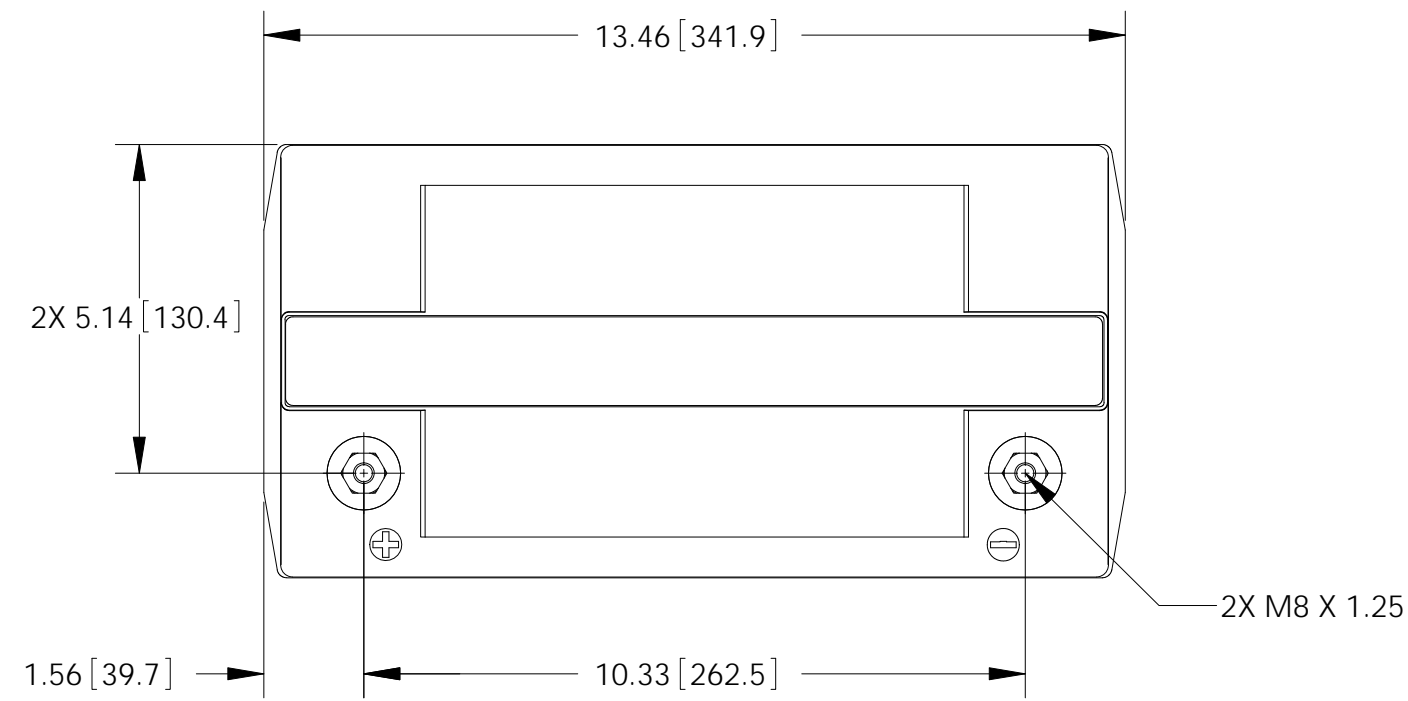


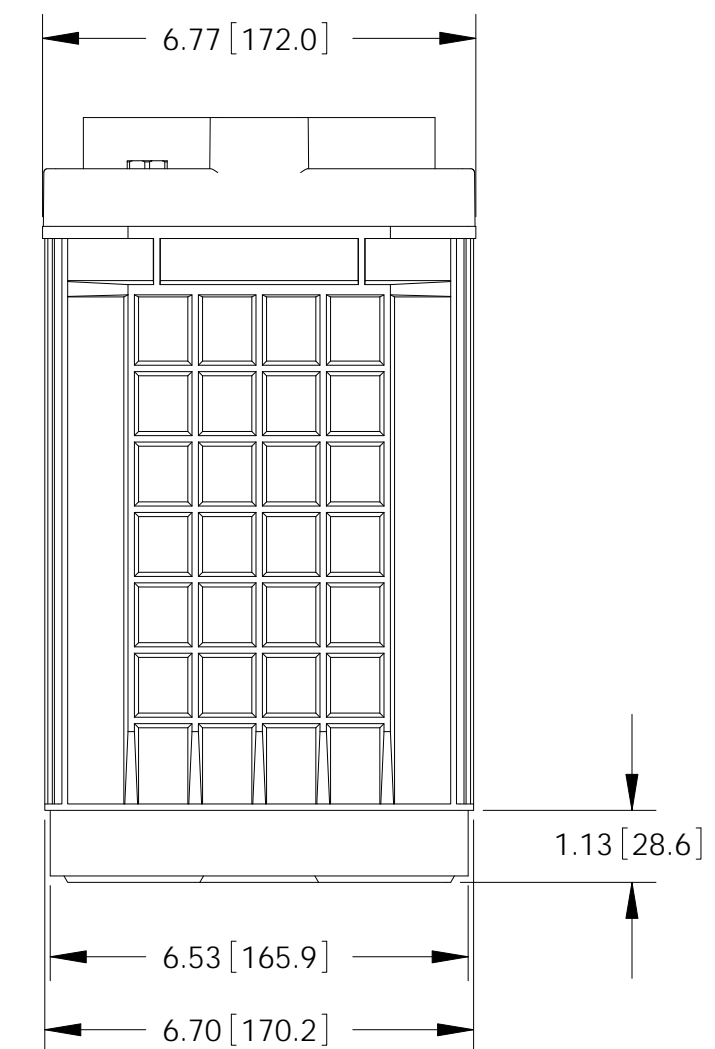
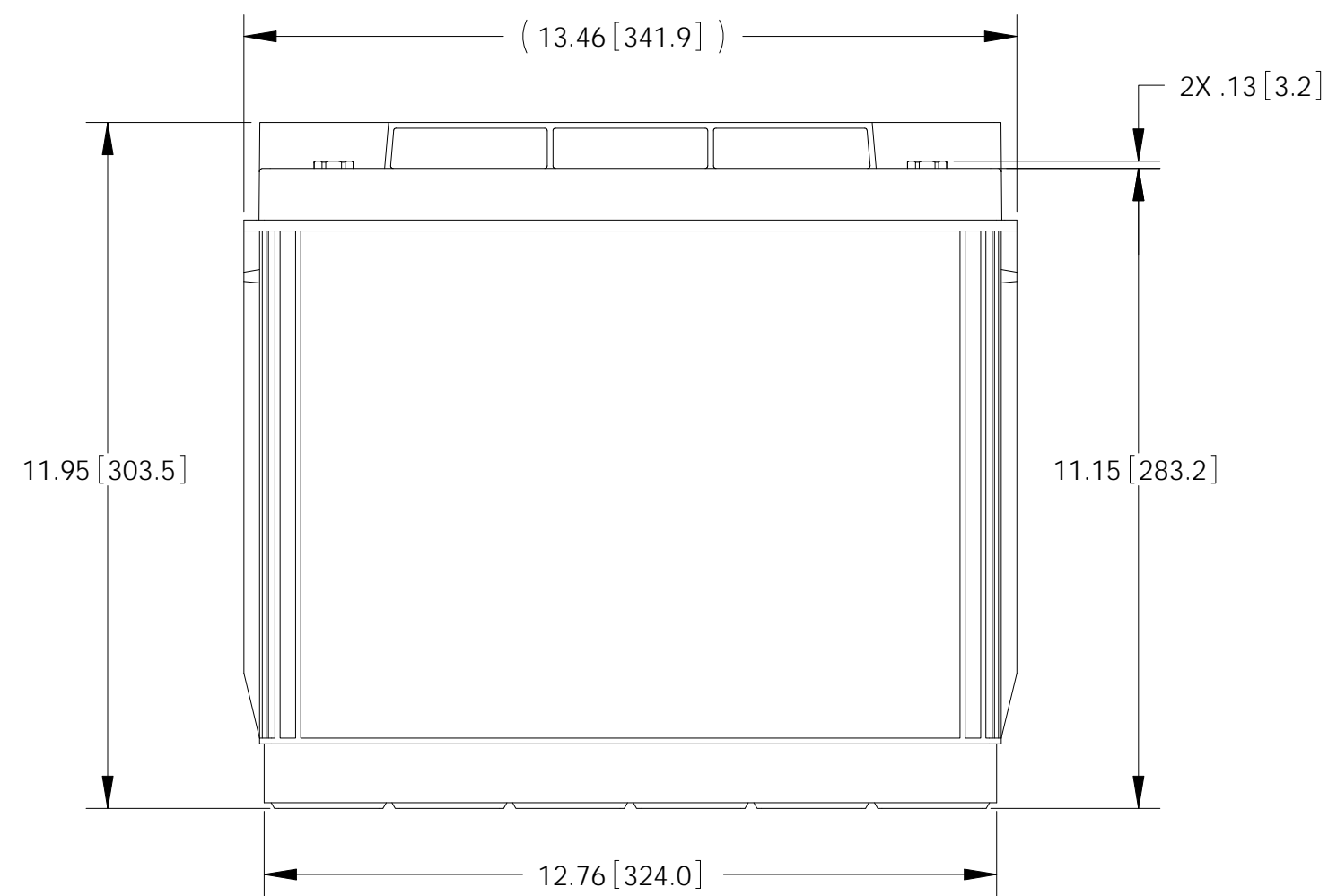
NOTES: UNLESS OTHERWISE SPECIFIED

1. SEE DRAWING NO. CB-00400 AND PROCEDURE P-1000 FOR ASSEMBLY AND TEST INSTRUCTIONS. PROCEDURES AND ASSEMBLY DRAWING ARE FOR INTERNAL USE ONLY.
2. ALL TESTING IS PERFORMED IAW BATTERY COUNCIL INTERNATIONAL STANDARDS.
3. ALL DIMENSIONS ARE IN INCHES [MILLIMETERS].

REVISIONS			
REV	DESCRIPTION	DATE	APPROVED
A	REVISED WEIGHT, 90 LBS [40.8 KG] WAS 96 LBS [43.5 KG]	12/4/12	JBT



REFERENCE VIEW



ENVELOPE DRAWING

CAPACITY RATINGS	
PART NUMBER	GPL-30HT
NOMINAL WEIGHT	90 LBS [40.8 KG]
AMPERE HOUR CAPACITY @ 20 HOUR 1.75 VOLTS/CELL @ 77 °F (25 °C)	150 AH
MINUTES OF DISCHARGE @ 25 AMPS 1.75 VOLTS/CELL @ 77 °F (25 °C)	315 MIN

UNLESS OTHERWISE SPECIFIED DIMENSIONS ARE IN INCHES TOLERANCES ARE:			CONTRACT NO.		CONCORDE BATTERY CORPORATION 2009 SAN BERNARDINO RD, W. COVINA, CA 91790			
FRACTIONS	DECIMALS	ANGLES	APPROVALS	DATE	TITLE			
±1/32	.XX ± .12 XXX ± .060	±1°	DRAWN	7/13/09	BATTERY, 12 VOLT, GPL-30HT			
TREATMENT	NONE	CHECKED	AMIII	7/13/09	SIZE	CAGE CODE	DWG NO.	REV
FINISH	NONE	APPROVED	JBT	7/14/09	C	63017	GPL-30HT	A
SIMILAR TO	CALC WT	ISSUED	BT	12/4/12	SCALE	1:3	SHEET 1 OF 1	